

CLAMPRO®



4 IN 1 WORKBENCH

MODEL NO: C4IN1WB

PART NO: 6501602

USER MANUAL

ORIGINAL INSTRUCTIONS

DL0324

INTRODUCTION

Thank you for purchasing this CLARKE 4 in 1 workbench.

Before attempting to use this product, please read this manual thoroughly and follow the instructions carefully. In doing so you will ensure the safety of yourself and that of others around you and you can look forward to your purchase giving you long and satisfactory service.

Please keep these instructions in a safe place for future reference.

GUARANTEE

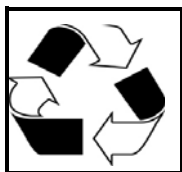
This product is guaranteed against faulty manufacture for a period of 12 months from the date of purchase. Please keep your receipt which will be required as proof of purchase.

This guarantee is invalid if the product is found to have been abused or tampered with in any way, or not used for the purpose for which it was intended.

Faulty goods should be returned to their place of purchase. No product can be returned to us without prior permission.

This guarantee does not effect your statutory rights.

ENVIRONMENTAL PROTECTION



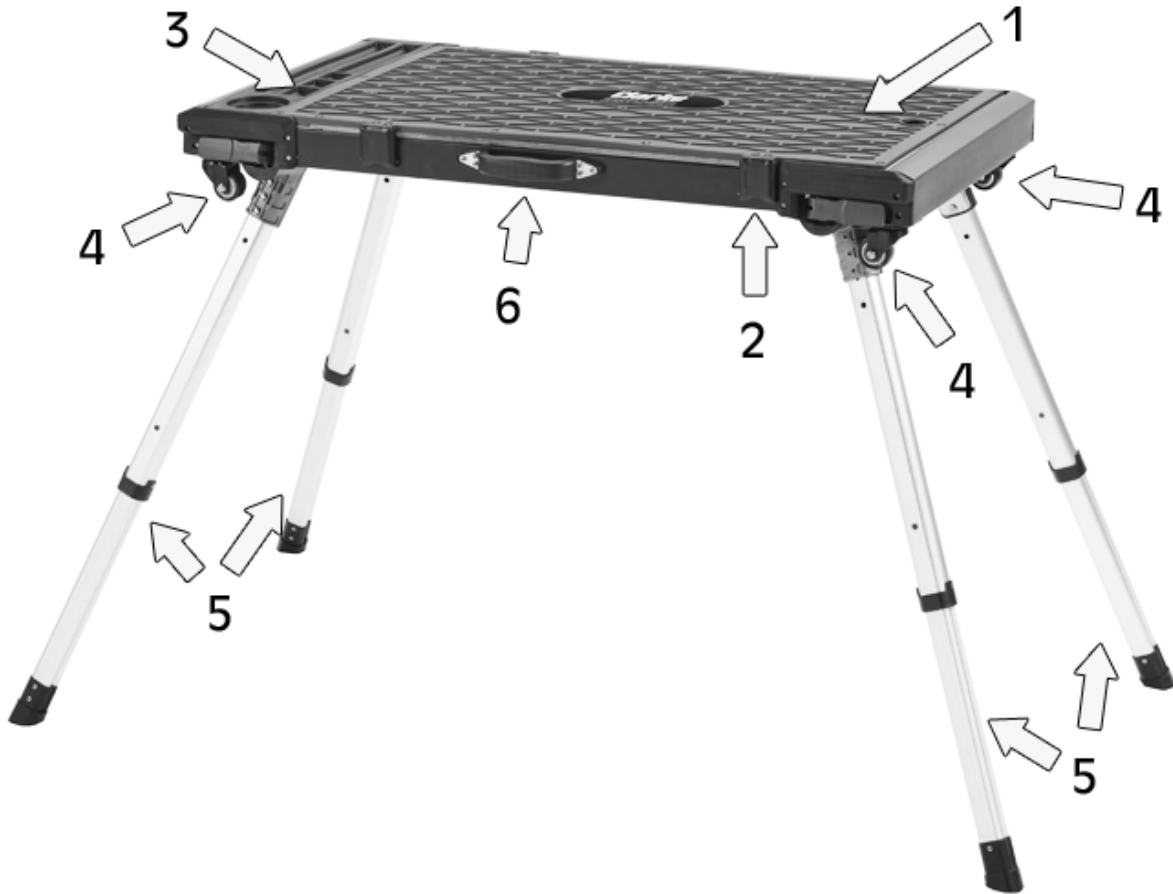
DO NOT dispose of old products or damaged parts with general household waste. All tools, accessories and packaging no longer required should be sorted, taken to a recycling centre and disposed of appropriately.

PRODUCT PROFILE

This workbench has 4 modes:

- Creeper Mode
- Dolly Mode
- Platform Mode
- Workbench Mode

OVERVIEW



No	DESCRIPTION
1	Reversible Worktop (Wooden or Anti-slip Surface)
2	Metal Worktop Clips (x4)
3	Tools & Parts Organiser

No	DESCRIPTION
4	38mm Diameter Wheels (2 x Locked, 2 x Swivelling)
5	Folding Retractable Legs (x4)
6	Carrying Handle

SPECIFICATION

Product Description	4 in 1 Workbench
Part Number	6501602
Workbench Weight	13.65kg
Maximum Load Weight	Creeper Mode: 120kg (264lb) Dolly Mode: 120kg (264lb) Platform Mode: 150kg (330lb) Workbench Mode: 125kg (275lb)
Measurement (H x W x D)	Creeper Mode: 120 x 955 x 520mm Dolly Mode: 120 x 955 x 520mm Platform Mode: 565 x 1160 x 615mm Workbench Mode: 805 x 1345 x 715mm
Workbench/Platform Area	880mm x 470mm

SAFETY

1. Ensure that this user manual is read and understood by everybody that will be using this workbench.
2. Take care when placing a load on to the workbench. It should be placed gently so that the strain is taken up gradually.
3. **NEVER** exceed the maximum load weight (see specification section) for each mode.
4. **ALWAYS** ensure you are working on a firm flat stable surface.
5. **DO NOT** mount/directly attach power tools on to the workbench.
6. **NEVER** stand on the workbench unless it is in the Platform mode.
7. When in Platform mode, stand in the centre of the platform to avoid the chance of tipping over.
8. **DO NOT** use excessive force when extending or retracting the legs as this may damage them.
9. When in Platform or Workbench mode, make sure the legs are locked into position before use.
10. **AVOID** storing the workbench outside or in humid environments.

CREEPER MODE

1. Use the creeper mode when performing jobs in low profile spaces.
2. The creeper mode has the wooden worktop facing upwards. This worktop has a 71cm (28inch) measure down both sides and 180° scale printed upon it.
3. The creeper mode is also used to safely store the workbench.

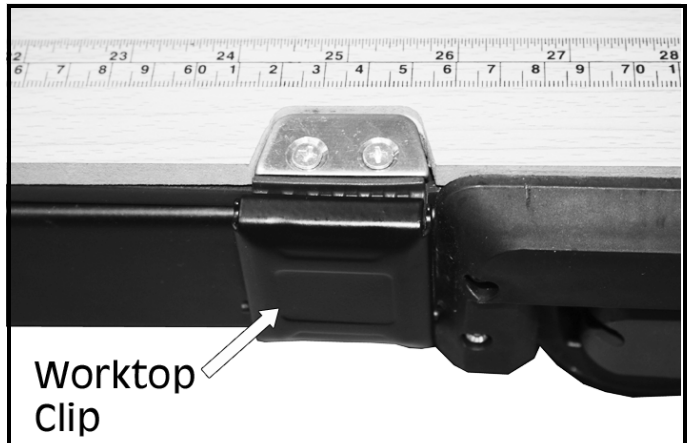


NOTE: DO NOT step or stand on the workbench while in creeper mode.

NOTE: Maximum working load: 120kg (264lb)

DOLLY MODE

1. While in creeper mode, release the 4 metal worktop clips on the sides of the workbench.



2. Lift off the reversible worktop and turn it over so the anti-slip surface is facing upwards and replace back on top of the workbench.
3. Fasten the worktop clips back onto the worktop.

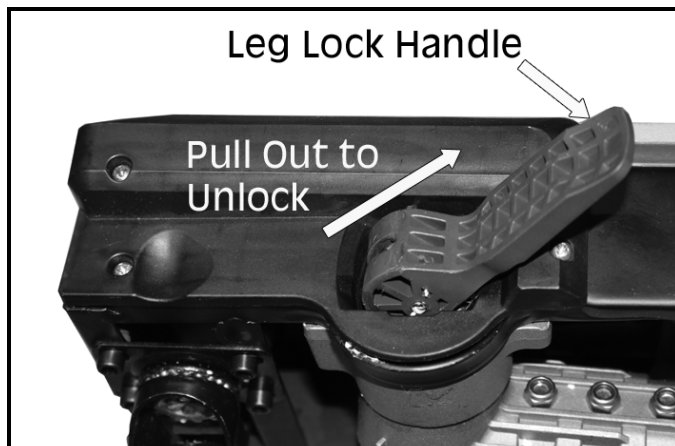


NOTE: DO NOT step or stand on the workbench while in dolly mode.

NOTE: Maximum working load: 120kg (264lb)

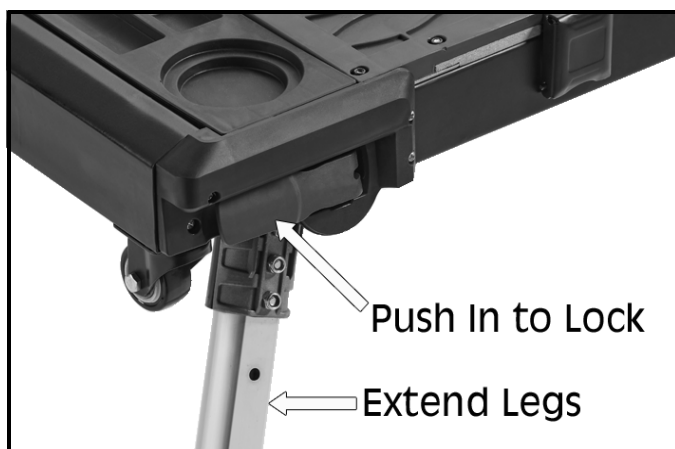
PLATFORM MODE

1. While in dolly mode, turn the workbench over and release the red leg lock handles on each corner, by pulling them out.



2. Extend the legs outward as far as they go and push the leg lock handles back into the body of the workbench to lock the legs in place.

NOTE: DO NOT use the workbench if any of the leg locking handles do not lock back into place once the legs have been extended.



3. If you are going to use the platform mode to stand on, make sure that the worktop anti-slip surface is facing upwards, as in the dolly mode.

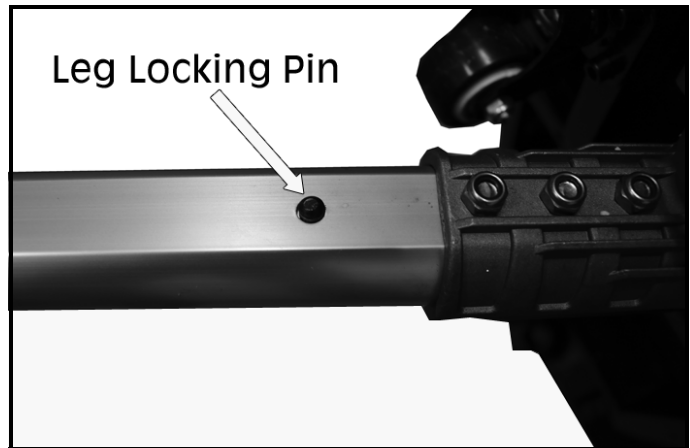


NOTE: When in Platform mode, stand in the centre of the platform to avoid the chance of tipping over.

NOTE: Maximum working load: 150kg (330lb)

WORKBENCH MODE

1. From the platform mode, pinch in the leg locking pins on both sides of each leg.



2. Pull out the lower half of each leg until the locking pin locks into the lower hole in the leg.
3. In this mode, the worktop can be used in either the non slip (as shown) or wooden mode.



NOTE: DO NOT use the workbench if any of the leg locking handles do not lock back into place once the legs have been extended, or if the locking pins do not click into the lower leg holes.

NOTE: DO NOT step or stand on the workbench while in Workbench mode.

NOTE: Maximum working load: 125kg (275lb)

MAINTENANCE

1. When not in use, lower the table to the Creeper mode.
2. After each use, remove any accessories or tools and clean the table with warm water and mild detergent.
3. Regularly check whether the casters are flexible and the legs work correctly. If there are any movement problems or damage, **DO NOT** use.

A SELECTION FROM THE VAST RANGE OF

Clarke®

QUALITY PRODUCTS



AIR COMPRESSORS
From DIY to industrial, Plus air tools, spray guns and accessories.

GENERATORS
Prime duty or emergency standby for business, home and leisure.

POWER WASHERS
Hot and cold, electric and engine driven - we have what you need

WELDERS
Mig, Arc, Tig and Spot. From DIY to auto/industrial.

METALWORKING
Drills, grinders and saws for DIY and professional use.

WOODWORKING
Saws, sanders, lathes, mortisers and dust extraction.

HYDRAULICS
Cranes, body repair kits, transmission jacks for all types of workshop use.

WATER PUMPS
Submersible, electric and engine driven for DIY, agriculture and industry.

POWER TOOLS
Angle grinders, cordless drill sets, saws and sanders.

STARTERS/CHARGERS
All sizes for car and commercial use.



PARTS & SERVICE: 0208 988 7400

Parts Enquiries
Parts@clarkeinternational.com

Servicing & Technical Enquiries
Service@clarkeinternational.com

SALES: UK 01992 565333 or Export 00 44 (0)1992 565335

Clarke INTERNATIONAL Hemnall Street, Epping, Essex CM16 4LG
www.clarkeinternational.com